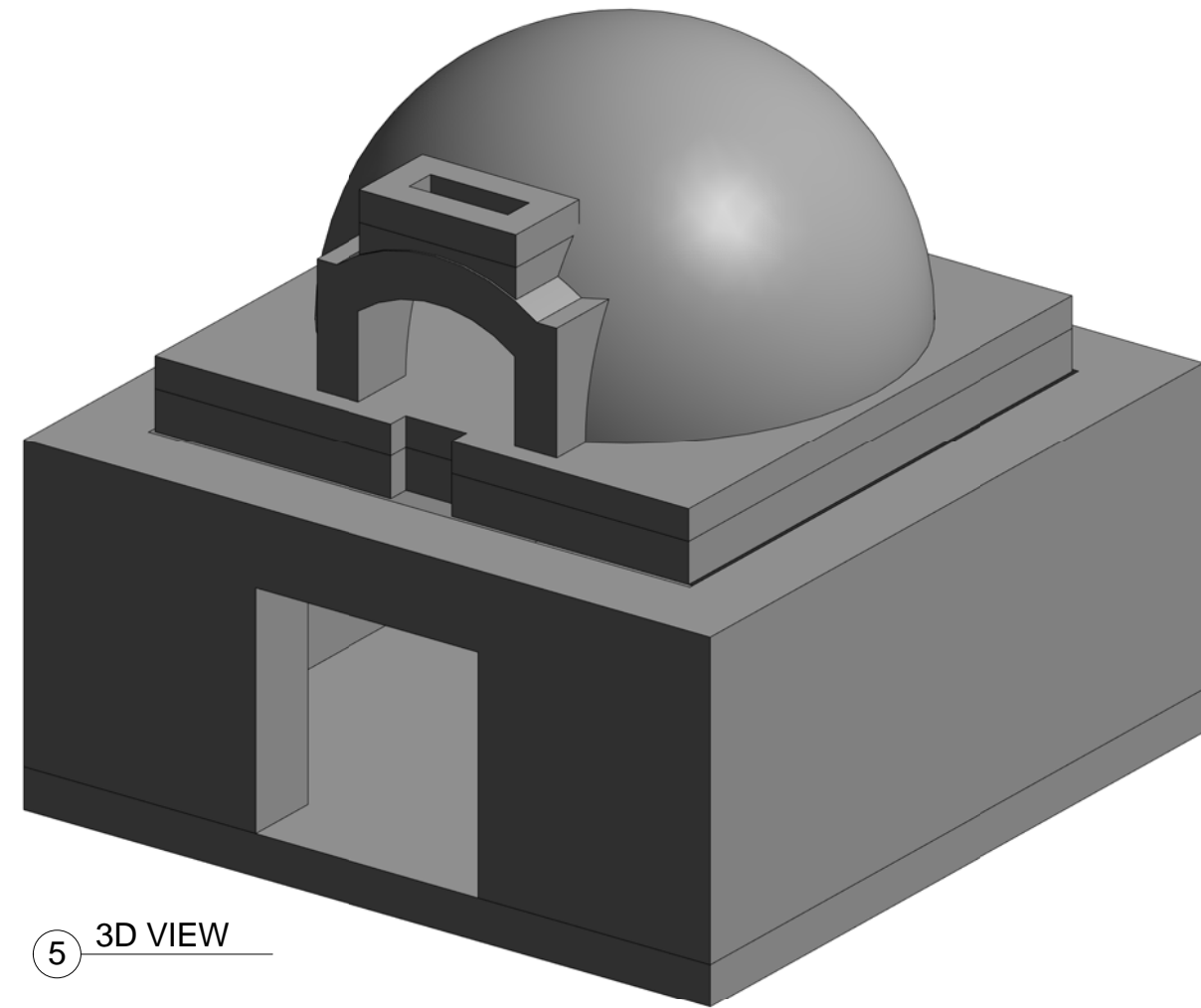
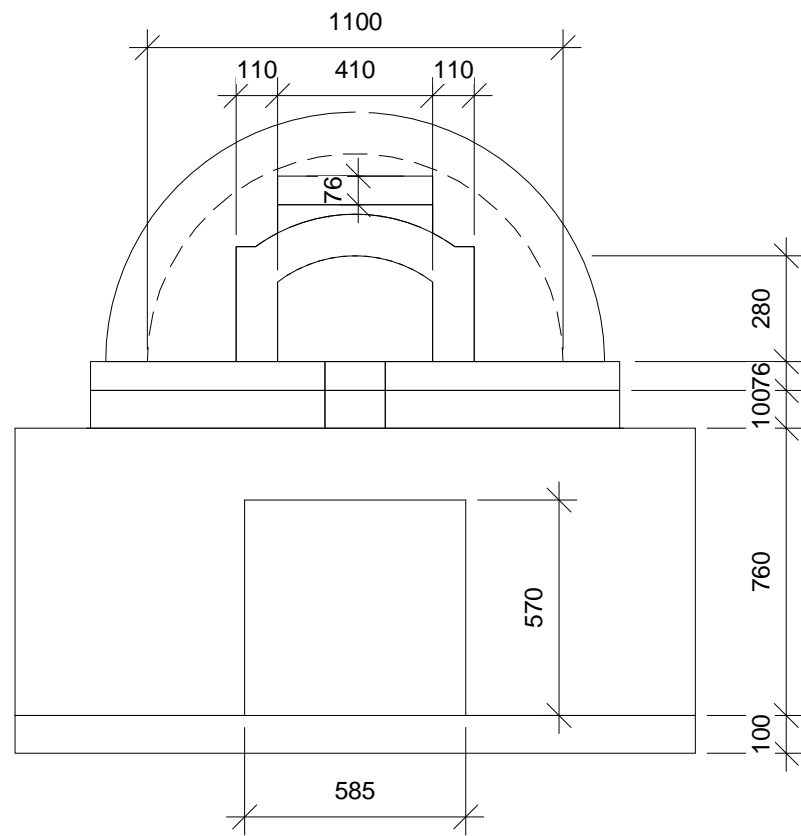


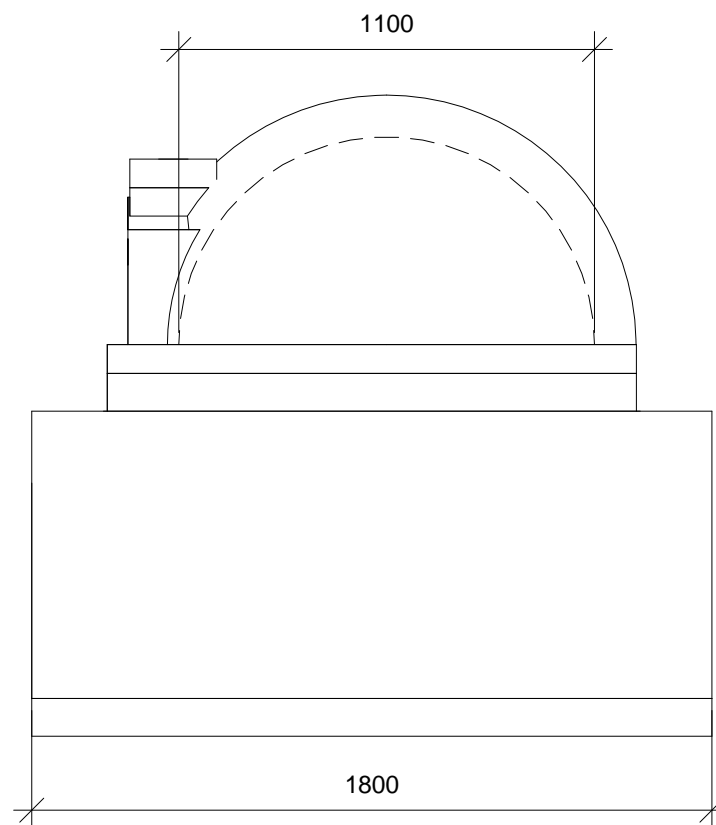
① PLAN
1 : 20



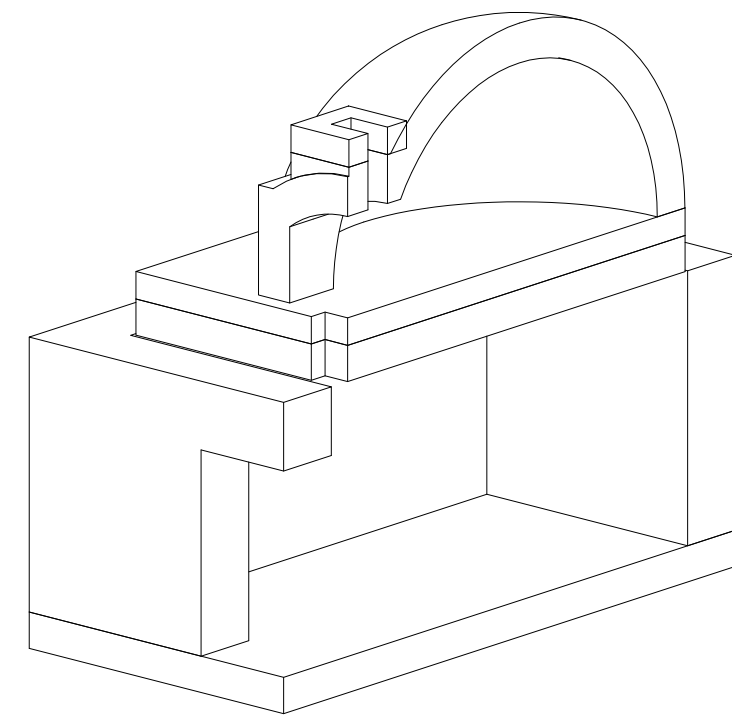
⑤ 3D VIEW



② FRONT
1 : 20



③ SECTION
1 : 20



④ SECTION 3D VIEW